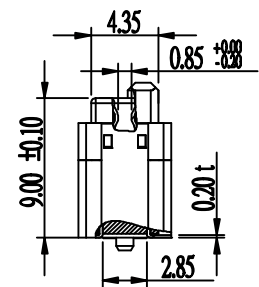
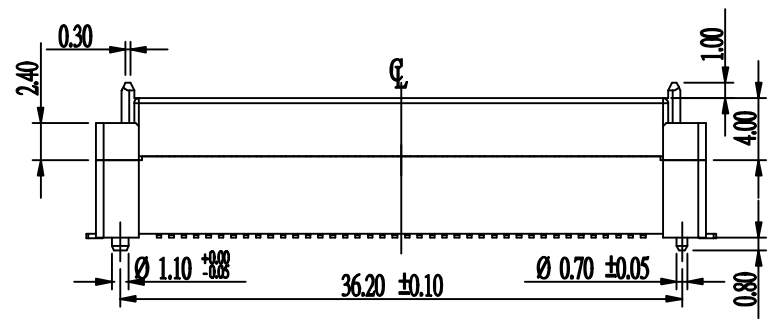
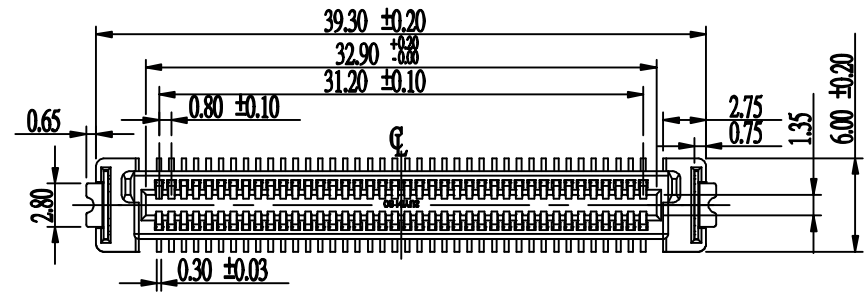
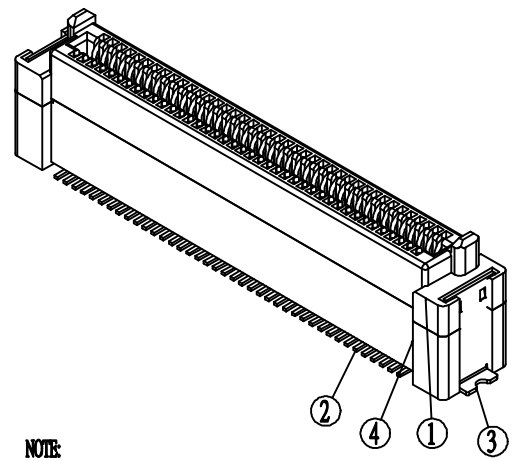
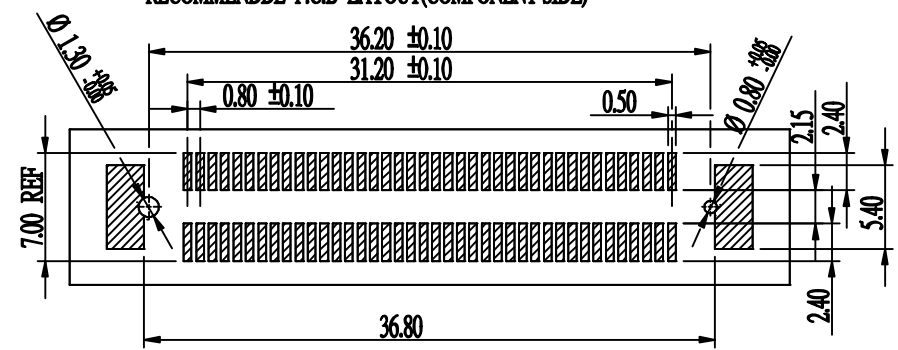


Pb RoHS Compliant HSF
2002/95/EC

Level-1 Controlled Substances are banned



RECOMMENDE P.C.B LAYOUT (COMPONENT SIDE)



NOTE:

800165FA080XX00ZR

1. PLATING
- S1-05u" MIN.GOLD IN CONTACT AREA/
100u" MIN.TIN IN SOLDER AREA.
- S2-GOLD FLASH IN CONTACT AREA/
100u" MIN.TIN IN SOLDER AREA.
- S3-10u" MIN.GOLD IN CONTACT AREA/
100u" MIN.TIN IN SOLDER AREA.
- S4-15u" MIN.GOLD IN CONTACT AREA/
100u" MIN.TIN IN SOLDER AREA.
- S5-30u" MIN.GOLD IN CONTACT AREA/
100u" MIN.TIN IN SOLDER AREA.
- S6-50u" MIN.GOLD IN CONTACT AREA/
100u" MIN.TIN IN SOLDER AREA.
- G1-5U" GOLD OVER NICKEL.
- G2-GOLD FLASH OVER NICKEL.
- G3-10U" GOLD OVER NICKEL.
- G4-15U" GOLD OVER NICKEL.
- G5-30U" GOLD OVER NICKEL.
- G6-50U" GOLD OVER NICKEL.

4	HOUSING	BI-TEMP PLASTIC	BLACK	UL 94V-0
3	FORK	COPPER ALLOY		TIN PLATED
2	TERMINAL	COPPER ALLOY		GOLD/TIN PLATED
1	COVER	BI-TEMP PLASTIC	BLACK	UL 94V-0
NO.	DESCRIPTION	MATERIAL	COLOR	REMARK

SUYIN
CONNECTOR

CUSTOMER COPY	TITLE: 0.80mm PITCH BTOB CONN.			
PART NO.	800165FA080XX00ZR			
PRODUCT SPEC.	80016XFA/8006XA			
FILE NAME	D	800165FA080XX00ZR-C		
SCALE	2:1	UNIT:mm	A4	SHEET: 1 of 2

					Angle	±2'	DRAW	楚永兵	08/04/24
					30 ~	±0.50	DESIGN	楚永兵	08/04/24
	0		NEW RELEASE	楚永兵 鄭家奇	10 ~ 30	±0.30	CHECK	王元幣	08/04/24
	PO	08/01/12	NEW	楚永兵 鄭家奇	~ 10	±0.15	APPRO.	鄭家奇	08/04/24
ECN(DCN) NO.	REV	DATE	DESCRIPTION	CHANGE	APPRO.	GENERAL TOLERANCE UNLESS OTHERWISE NOTED	APPRO.		

Original:Draw: 楚永兵 Design: 楚永兵 Check: 王元幣 Appro: 鄭家奇 發行日期: 08/01/12